

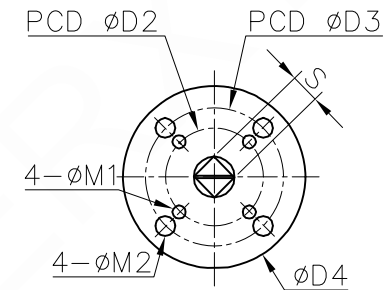
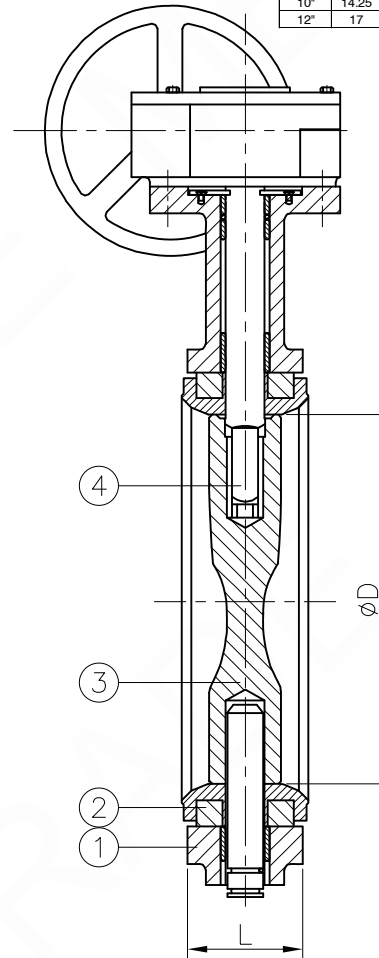
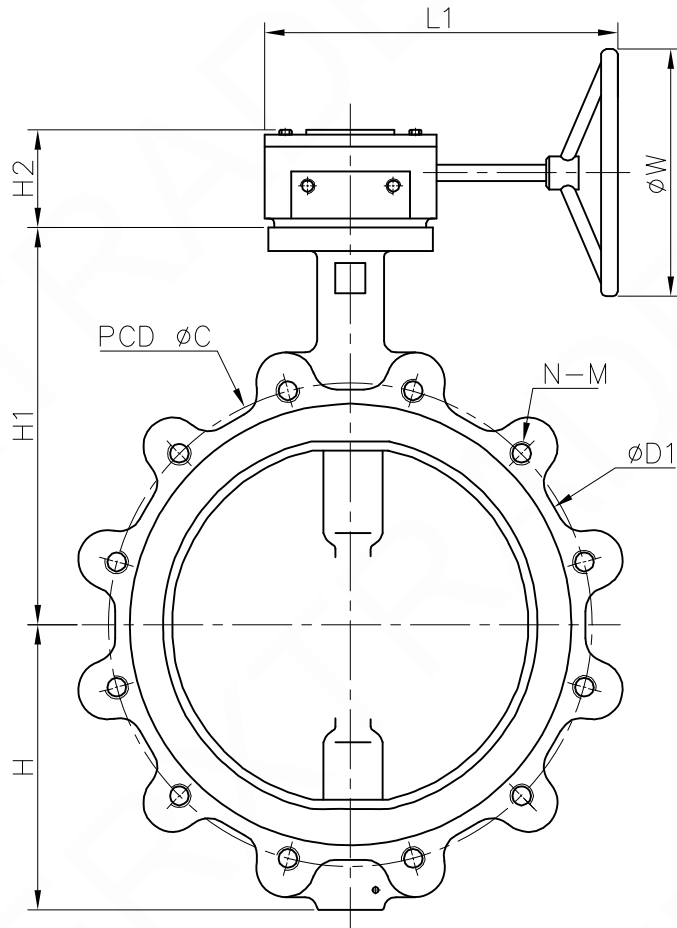


# MERX TRADE B.V.

VALVES FOR MARINE AND INDUSTRY

DN	C	D	D1	L	L1	H	H1	H2	W	S	D2	D3	D4	N	M	M1	M2	ISO 5211
40	98.5	42.3	86	32	226	70	110	64	150	11	50	70	90	4	1/2"	7	10	F05/F07
50	120.6	52.6	100	43	226	80	161	64	150	11	50	70	90	4	5/8"	7	10	F05/F07
65	139.7	64.3	120	46	226	89	175	64	150	11	50	70	90	4	5/8"	7	10	F05/F07
80	152.4	78.8	127	46	226	95	181	64	150	11	50	70	90	4	5/8"	7	10	F05/F07
100	190.5	104	156	52	226	114	200	64	150	14	-	70	90	8	5/8"	-	10	F07
125	215.9	123.3	190	56	226	127	213	64	150	14	-	70	90	8	3/4"	-	10	F07
150	241.3	155.7	212	56	226	139	226	64	150	14	-	70	90	8	3/4"	-	10	F07
200	298.4	202.5	268	60	313	175	260	80	300	22	-	102	125	8	3/4"	-	12	F10
250	361.9	250.4	325	68	313	203	292	80	300	22	-	102	125	12	7/8"	-	12	F10
300	431.8	301.5	376	78	313	242	337	82	300	22	-	102	125	12	7/8"	-	12	F10

NPS	C	D	D1	L	L1	H	H1	H2	W	S	D2	D3	D4	N	M	M1	M2	ISO 5211
1-1/2"	3.88	1.67	3.39	1.26	8.9	2.76	4.33	2.52	5.91	0.43	1.97	2.76	3.54	4	1/2"	0.28	0.39	F05/F07
2"	4.75	2.07	3.94	1.69	8.9	3.15	6.34	2.52	5.91	0.43	1.97	2.76	3.54	4	5/8"	0.28	0.39	F05/F07
2-1/2"	5.5	2.53	4.72	1.81	8.9	3.5	6.89	2.52	5.91	0.43	1.97	2.76	3.54	4	5/8"	0.28	0.39	F05/F07
3"	6	3.1	5	1.81	8.9	3.74	7.13	2.52	5.91	0.43	1.97	2.76	3.54	4	5/8"	0.28	0.39	F05/F07
4"	7.5	4.09	6.14	2.05	8.9	4.49	7.87	2.52	5.91	0.55	-	2.76	3.54	8	5/8"	-	0.39	F07
5"	8.5	4.85	7.48	2.2	8.9	5	8.39	2.52	5.91	0.55	-	2.76	3.54	8	3/4"	-	0.39	F07
6"	9.5	6.13	8.35	2.2	8.9	5.47	8.9	2.52	5.91	0.55	-	2.76	3.54	8	3/4"	-	0.39	F07
8"	11.75	7.97	10.55	2.36	12.32	6.89	10.24	3.15	11.81	0.87	-	4.02	4.92	8	3/4"	-	0.47	F10
10"	14.25	9.86	12.8	2.68	12.32	7.99	11.5	3.15	11.81	0.87	-	4.02	4.92	12	7/8"	-	0.47	F10
12"	17	11.87	14.8	3.07	12.32	9.53	13.27	3.23	11.81	0.87	-	4.02	4.92	12	7/8"	-	0.47	F10



**FEATURE :**

- Flange standard : ANSI 150LB
- Face to face : EN 558-1,20
- Pressure test : API 598
- Upper flange standard : ISO 5211

ITEM	PARTS	MATERIAL
1	BODY	Ductile iron
2	SEAT	EPDM
3	DISC	SS 316
4	STEM	SS 416 / SS 431